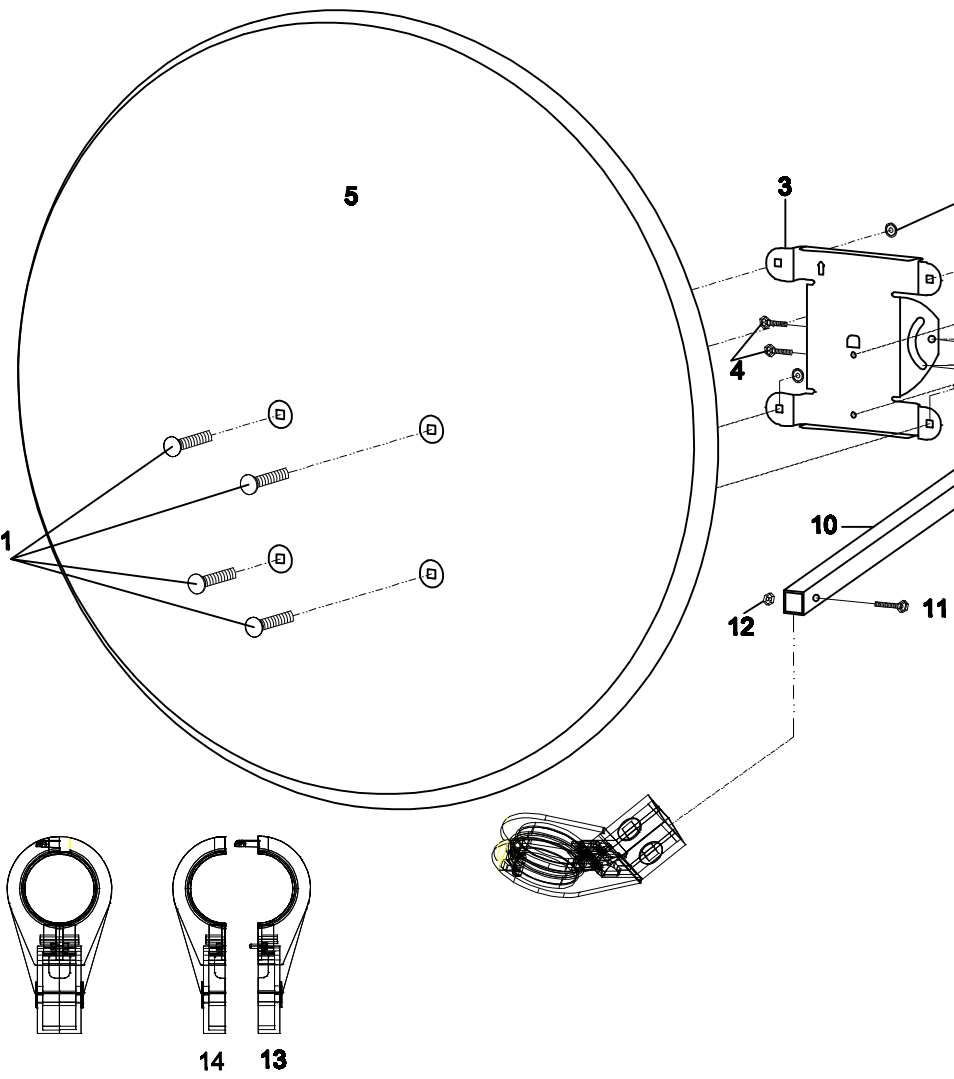
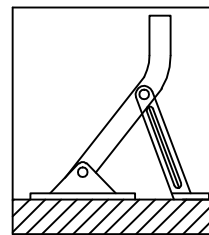
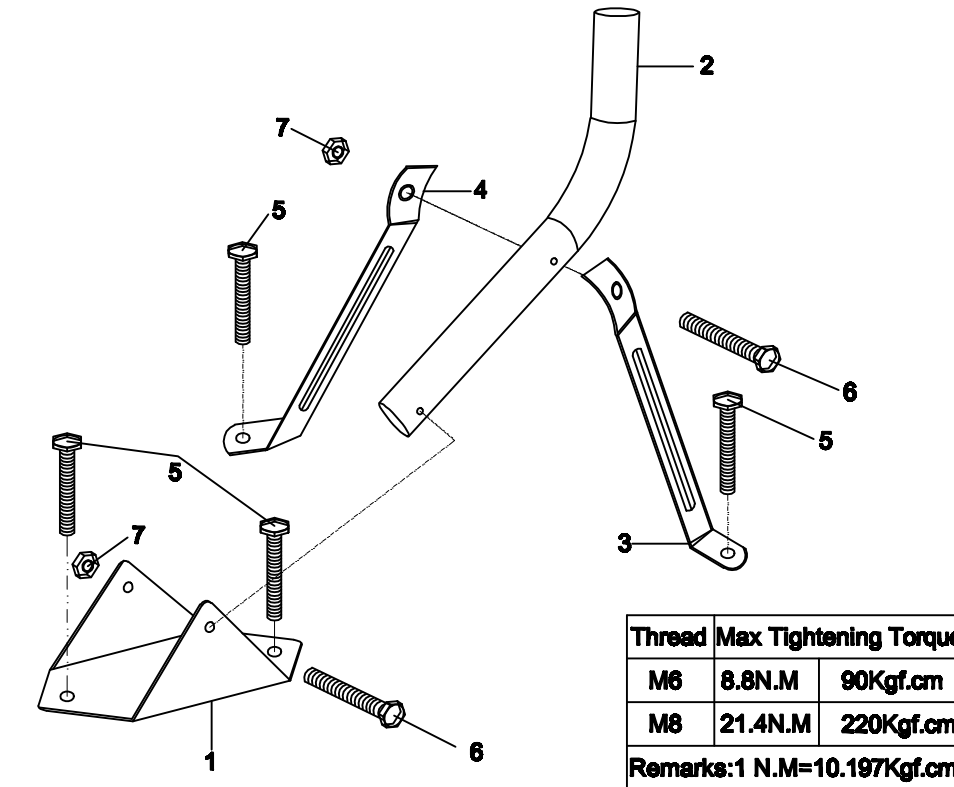


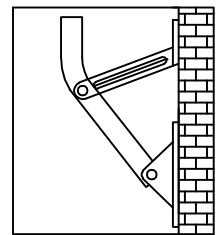
# MODEL : 85 ES



NO	ITEM	DESCRIPTION	QTY
1		M6X12 Round Head Screw	4
2		M6 Flange Nut	4
3		Reflector Bracket	1
4		M6X10 Hexagonal Bolt	4
5		Reflector	1
6		M6X30 Hexagonal Bolt	2
7		U-Clamps Thread M8	2
8		M8 Flange Nut	4
9		F-Mast Bracket	1
10		L N B Arm	1
11		M6X45 Round Head Screw	1
12		M6 Flange Nut	1
13		L N B Right Side Cover	1
14		L N B Left Side Cover	1



TERRACE



WALL

Thread	Max Tightening Torque	
M6	8.8N.M	90Kgf.cm
M8	21.4N.M	220Kgf.cm
Remarks: 1 N.M=10.197Kgf.cm		

NO	ITEM	DESCRIPTION	QTY
1		Ground Mount Fixer	1
2		Ø42 45° Pipe	1
3		Side Supporting Rod (R)	1
4		Side Supporting Rod (L)	1
5		M6X45 Anchor Bolt	4
6		M8X65 Hexagonal Bolt	2
7		M8 Nut	2